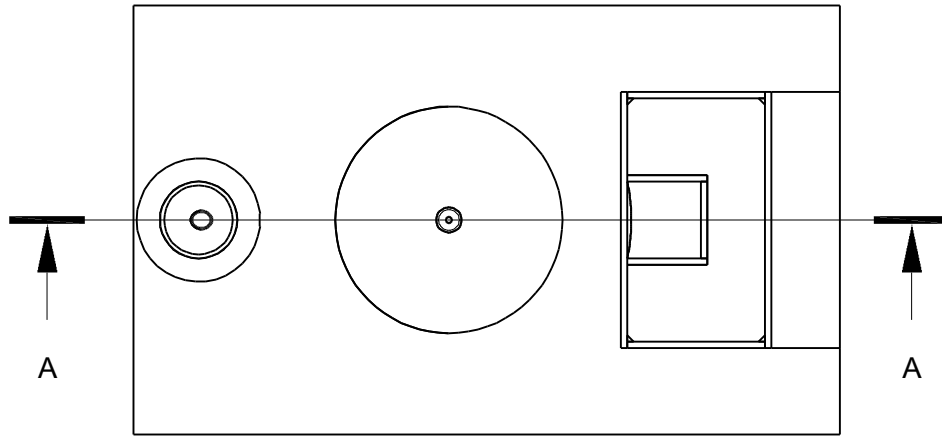
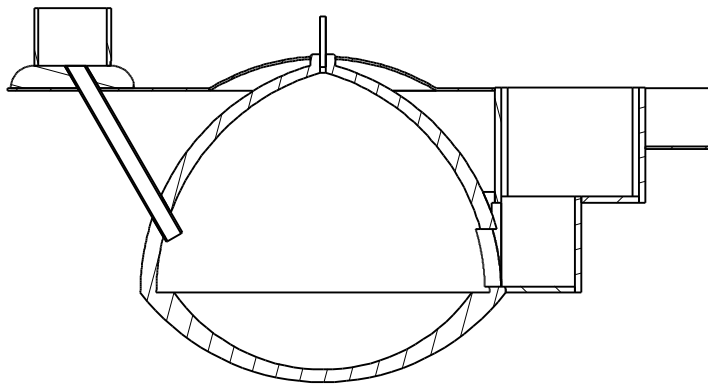


Side View



Top View



Cross Section

Section A-A