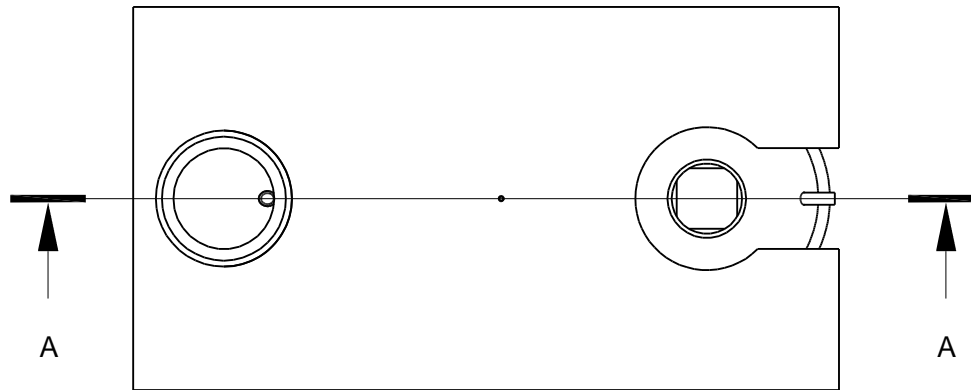
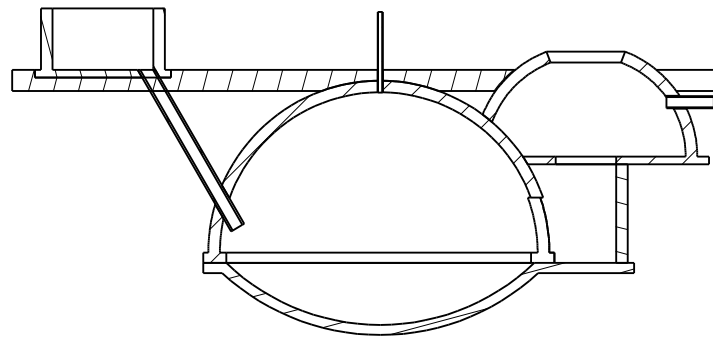


Side View



Top View



Cross-section

Section A-A